



2011 N.O.S.S.A. ANNUAL MEETING
Friday, April 29th, 2011
Travelodge Hotel, Sudbury

- M I N U T E S -

Attendance: See appendix "A".

Call to order at 9:35am. 61 eligible voters counted – 31 required for straight majority, 41 for two-thirds majority.

Heather expressed thanks to all conveners of NOSSA activities this past school year and explained the voting procedures in place for the meeting.

Minutes from 2010 annual meeting were accepted as posted. Reports from the secretary, president and treasurer were distributed and presented. Jim Pedatella reported that a contest will be initiated to develop a new logo for NOSSA.

General motions were accepted (moved by Jim Pedatella, seconded by Barry Rushon). Officers, conveners, sport committee reps, 4-year calendar and activity calendars were presented.

CGA and CBA reps to OFSAA presented their reports.

NOTICE OF MOTION TO OFSAA

1. Reference: Eligibility

Student athletes are eligible for one team per sport that is offered by OFSAA, notwithstanding existing regulations pertaining to age classifications.”

Millie Wood Colton (LAS) – Laura Aubertin (CON)

Action: WITHDRAWN.

N.O.S.S.A CONSTITUTION**1. Article VII – Age Divisions, Page 11
Section 6**

Add item (d) new as follows: “Student athletes are eligible for one team per sport that is offered by NOSSA, notwithstanding existing regulations pertaining to age classifications Article 7 Section 6: Age Divisions.”

Millie Wood Colton (LAS) – Laura Aubertin (CON)

Action: CARRIED.

**2. Article VIII – Duties of Conveners
Section 2: NOSSA Championships**

Part (h) – delete two sections sentences beginning with “Exceptions”.

Bob Gawalko (Treasurer) – Dave Makela (Secretary)

Action: CARRIED.

**3. Article VIII – Duties of Conveners
Section 2: NOSSA Championships**

Part (i) – delete in its entirety and replace with the following: “Arrange for the presentation of trophies, banners and medals (banners and medals are carried in stock by NOSSA). Awards for each championship will be delivered by a Sudbury team participating in the event or shipped if necessary. District treasurers will be invoiced for the cost of the awards that must be paid within thirty (30) days of the completion of the event. Late payments will result in a \$50 fine.”

Bob Gawalko (Treasurer) – Dave Makela (Secretary)

Action: CARRIED.

**4. Article VIII – Duties of Conveners
Section 2: NOSSA Championships**

Add to item (m): “If, after allowing for the expenses indicated above, a team sport championship still derives a profit of \$50/team or more, the convener shall be required to refund each participating team an equal share of the profit to render a zero balance. Gate revenue is not to be included in the calculation of event profits.”

Dave Makela (Secretary) - Bob Gawalko (Treasurer)

Action: CARRIED.

.../3

Constitutional Motions – continued from page 2**5. Article X – Protests, Board of Reference and Transfer Policy
Section 2: Appeal to Board of Reference subsection (a)**

Presently reads: “In the case of a protest of a convener's decision, or in the case of a protest that arises after conclusion of the competition, an appeal may be made to the Board of Reference **within 48 hours** of receiving the convener's decision or conclusion of the competition.”

Revise to read: “ In the case... Board of Reference *within two school days of ...*”

Jean Gilles Larocque (BAC) – Denis Gauthier (LAS) Action: CARRIED (as amended).

**6. Article XI - Awards
Part (a)**

Revise to read: “Silver medals will be awarded for all championships except cross country running. In addition, ribbons for sports such as track and field, tennis, cross country running, curling and alpine skiing will be stocked by NOSSA with delivery as per Article VIII, section 2, part (i).

Bob Gawalko (Treasurer) – Dave Makela (Secretary) Action: CARRIED.

**7. Article XI - Awards
Part (d)**

Remove the following in brackets: “(championship)” and “(+exception: NOSSA will absorb cost in 2009-2010)”

Bob Gawalko (Treasurer) – Dave Makela (Secretary) Action: CARRIED.

**8. Article XI - Awards
Part (f)**

Revise to read: “The cost of awards may be covered in part or in full by rebate revenue received from Westmont Hospitality Group and approved at the annual general meeting.”

Bob Gawalko (Treasurer) – Dave Makela (Secretary) Action: CARRIED.

.../4

Constitutional Motions – continued from page 3**9. Article XII – Coaching Personnel and Department
Part (c)**

Revise to read: “Misconduct on the part of players or coaches, whether reported in the press or noted by attending officials or tournament volunteers, should be reported within 48 hours of the competition in writing to the convener and to the appropriate N.O.S.S.A. Secretary-Treasurer. The schools identified in the report shall be advised of the concerns and requested to advise of actions taken with the parties identified in the report. If the convener or Secretary-Treasurer is not satisfied with the school’s response, he/she may request a Board of Reference ruling, in which case the N.O.S.S.A. Secretary-Treasurer will forward the letter to the appropriate N.O.S.S.A. Co-President and District Secretary.

Bob Gawalko (Treasurer) – Dave Makela (Secretary)

Action: WITHDRAWN.

10. Article XVII (new!) – Tobacco-Free Policy

Add new section to read as follows: “That NOSSA adopt the Tobacco-Free Policy included as Appendix “A”.

Dave Makela (Secretary) – Bob Gawalko (Treasurer)

Action: CARRIED.

.../5

N.O.S.S.A. PLAYING REGULATIONS - COED**1. Curling**
Reference: Championship Date

In 2012 the NOSSA Boys' and Girls' Curling Championships shall be held two weeks prior to the Ministry March break.

Janis Hogan (Korah) – Wendy Basawa (White Pines) Action: WITHDRAWN.

2. Curling
Reference: General

All games including playoffs shall be eight (8) ends, but can be conceded at any time. In the event of a tie at the conclusion of a game, an extra end towards the home end shall be played until such time as a winner is declared.

Janis Hogan (Korah) – Wendy Basawa (White Pines) Action: CARRIED.

3. Track and Field
Reference: Schedule

Revise height for midget boys intermediate hurdles to 33" (was 30" previously).

Gilbert Briscoe (CON) – Kerry Abols (LCS) Action: CARRIED.

At this point in the meeting, Michel Leroux of Champlain addressed the group on behalf of the Jeux de Francophone to be hosted in Sudbury July 20-24. The event is looking for volunteers so all schools were encouraged to check with their students and teachers to assist with this National Championship event.

Rock Lachance of Marchant's Sports addressed the group and announced a draw. Marchant's has teamed up with Under Armour to provide a line of apparel.

N.O.S.S.A. PLAYING REGULATIONS - BOYS**1. Basketball
Event dates – A, AA and AAA**

Remove existing section pertaining to event dates (“A” – Series, 2(c), “AA” – Series, 3, “AAA” – Event date) and replace with the following: “The NOSSA basketball championships take place on Friday and Saturday.”

Denis Gauthier (LAS) – Dave Makela (Secretary) Action: CARRIED (as amended).

**2. Basketball
Tournament Format – Seeding for AAA and AA**

Add seedings that appear in Appendix “B”.

Denis Gauthier (LAS) – Jean Gilles Larocque (BAC) Action: DEFEATED.

**3. Basketball
Tournament Format**

Whereas teams do not want to travel for just one game and that it is important to keep the integrity of the championship, the format that appears in Appendix “C” be adopted.

Denis Gauthier (LAS) – Jean Gilles Larocque (BAC) Action: WITHDRAWN.

**4. Football
Series - Page 11**

Second paragraph currently reads: “The NOSSA Final shall be hosted on the second Saturday in November”. Change to read: “The NOSSA Final shall be hosted on the third Saturday in November”.

John MacLean (SBS) – Walter Wilson (CVD) Action: DEFEATED.

.../7

Boys Motions – continued from page 6**4. Football
General Item 5 – Page 12**

Be it resolved that NOSSA adopt the OFSAA (3 down) football rules and regulations.

Sean Mullan (WSS) – Rick Mitchell (WFSS) Action: DEFEATED.

**5. Hockey
Add to General, item 13 – New!**

Add as follows: “To have the clock run if the score reaches 8 or more goal differential.”

Bob Boal (CSS) – Rick Mitchell (WFSS) Action: CARRIED (as amended).

**6. Hockey
Add to General, item 14 – New!**

Add as follows: “Any contact, *initiated by an opposing player*, with a goalie as he freezes the puck results in a face off outside the zone.”

Bob Boal (CSS) – Rick Mitchell (WFSS) Action: CARRIED (as amended).

**7. Volleyball
Series – Item 7**

Revise to read: “Warm-ups before matches will follow a 10-5-5 format. Warm-up for the senior match will commence once the junior match has ended and the net height has been adjusted. Ten (10) minutes will be a common time for on court warm-up; five (5) minutes hitting and serving for serving team first. Repeat for the receiving team.”

Michel Leroux (CHA) – Marc Savage (ESM) Action: CARRIED.

**8. Volleyball
Schedules**

“That the schedule options in appendix “D” be added to the boys volleyball playing regulations, under schedules.”

Colleen Egan (CSS) – Dez Forget (CSS) Action: CARRIED.

.../8

At this point in the meeting, Peter Kategiannis asked about potential interest in 6-man football.

Gilbert Briscoe of Confederation addressed the group regarding OFSAA Track and Field 2011 and specifically the wheelchair events. Amanda Fader of the Ontario Wheelchair Sports Association is interested in conducting a coaching clinic regarding wheelchair track events. Wheelchairs will be brought up for loan providing the clinic has been attended. If interested, contact Amanda@ocpsa.com

On behalf of NOSSA, Jim Pedatella presented a plaque to Maija Holla of Westmont Hospitality Group in recognition of their support over the past five years. Maija presented a cheque that represented the NOSSA share of rooms booked through Westmont during the school year.

Presentation of the Pete Beach Award took place by Julie-Anne Bergeron of Es du Sacré-Coeur. Ron Dubuc was named as the 2011 recipient, and was recognized for his many contributions over several years of dedicated service to school sports at all levels.

N.O.S.S.A. PLAYING REGULATIONS - GIRLS

1. Hockey Rules and Officials – section (h)

Delete in its entirety and replace with the OFSAA method of deciding overtime: “In the event of a tie game at the end of regulation time, the following will apply:

- (i) one ten-minute sudden victory overtime period using a three-on-three system shall be played until a winner is declared;
- (ii) in the event that one team is serving a penalty at the end of regulation time, it shall be four-on-three until the first whistle after the penalty has expired. At the expiration of the penalty the penalized player shall return to the ice and the teams shall play four-on-four until the first whistle at which time the teams shall revert to three-on-three.
- (iii) if the game is still tied, a three (3) girl simultaneous shootout will take place. Shooters and one alternate must be declared on the game sheet **prior to the start of the game**. Substitution for an injured or penalized player is allowed. Penalized players may not participate in a shootout;
- (iv) if the game is still tied, a one (1) girl simultaneous sudden victory shootout shall take place using the same players in the same order as above.

Kim Chezzi-MacLennan (LDSS) – Lisa Corbiere-Addison (MSS) Action: CARRIED.

2. Hockey Rules and Officials – section (h)

Currently reads: “For all games played at NOSSA, in the event of a tie at the end of regulation time, the following will apply:

- i) one ten-minute sudden victory overtime period using a four-on-four system shall be played until a winner is declared,
- ii) if the event that one team is serving a penalty at the end of regulation time, it shall be four-on-three until the first whistle after the penalty has expired.

Revise (h) ii to read: “In the event one team is serving a penalty at the end of regulation time, it shall be 4 on 3 until that penalty has expired.

Sean Mullan (WSS) – Kim Chezzi-MacLennan (LDSS) Action: WITHDRAWN.

3. Soccer Rules and Officials – Page 11

Change item (i) from “Two 5-minute halves” to read: “Two 10-minute halves”.

John Sikora (SCC) – Matt Cootes (LIV) Action: CARRIED.

.../10

Girls Motions – continued from page 9

**4. Volleyball
Schedules**

“That the schedule options in appendix “D” be added to the girls volleyball playing regulations, under schedules.”

Colleen Egan (CSS) – Dez Forget (CSS)

Action: CARRIED.

.../11

2010 N.O.S.S.A. ANNUAL MEETING
Friday, April 29th – Sudbury District

- A T T E N D A N C E -

North Shore District	Nipissing District	Sudbury District
Kirk Reid – Central Algoma SS Tony Yachuk – Espanola HS Jason Jacques – Espanola HS Eric Simons – Jeunesse Nord Peter Kategiannis – Manitoulin Jasper Naus – Elliot Lake SS Tom O’Grady – Elliot Lake SS Vincenzo Dagostino – ESC Franco-Ouest Denis Beaudry – VFJ Kim Lidstone – WC Eaket Mark Tarantini – WC Eaket Jillian Peltier – Wasse-Abin	Tim Lowe – Algonquin Bob Sneddon – Algonquin Dez Forget – Chippewa Colleen Egan – Chippewa Alain Coulombe – ES Franco-Cité Scot Quarrington – F.J. McElligott Ray Ouellette – L’Odysee Richard Lachance – ES Northern SS Ian Lawson – Es Northern SS Laurie Vezina – St Joseph/Scollard Hall John Whittet – St Joseph/Scollard Hall John Wilson – St Joseph/Scollard Hall Rick Mitchell – West Ferris Mike Tignanelli – West Ferris Heather Windrem – Widdifield Sean Mullan – Widdifield Heather Chambers – Resolutions Chair	Jean-Gilles Larocque – Bishop Carter Michel Leroux – Champlain Dave Winsa – Chelmsford Laura Aubertin – Confederation Gilbert Briscoe - Confederation Brandon Dougan – Confederation Marc Dubuc – Esc l’Horizon Millie Wood-Colton – Lasalle Denis Gauthier – Lasalle Kim Chezzi-MacLennan – Lively Matt Cootes – Lively Karin Augenstein – Lockerby CS Sean Green – Lockerby CS Sherry Green – Lo-Ellen Yves Poirier – Lo-Ellen Park Ron Poulin – Es Macdonald Cartier Marc Savage – Es Macdonald Cartier Dan Bartolucci - Marymount Luc Giroux – Collège Notre-Dame Julie-Anne Bergeron – Sacré-Coeur Geneviève Diotte – Sacré-Coeur Frank Rocca – St Benedict Julie Dion – St Charles Darren Michelutti – St Charles Bill Gordon – Sudbury Secondary Kent Rendell – Sudbury Secondary Dave Makela – Secretary Bob Gawalko – Treasurer
<p style="text-align: center;">Sault District</p> Tom Annett - Korah Jim Pedatella – St Basil Shauna Conway – St Mary’s Dave Zagordo – St Mary’s Seth Cond – Superior Heights Wendy Basawa – White Pines Barry Rushon – White Pines		

.../12

Appendix “A” – Tobacco Free Policy

NOSSA Tobacco Free Policy



COMMITMENT

NOSSA recognizes that there is ample research demonstrating the health hazards caused by the use of tobacco products, including smoking, smokeless tobacco and breathing second-hand smoke, and understand our responsibility to the participants of our program to model and promote tobacco-free lifestyles.

We stress to leaders, teachers, coaches, officials, parents, spectators, and all others involved, the importance of maintaining a tobacco-free environment while working with young people.

POLICY

All NOSSA games, activities, tournaments, competitions, sponsored events, and other performances will be tobacco-free. Tobacco free means no smoking, snuffing, dipping, or chewing tobacco by players/participants, coaches/leaders, parents, spectators, and officials.

We will promote the tobacco-free policy at all our activities by:

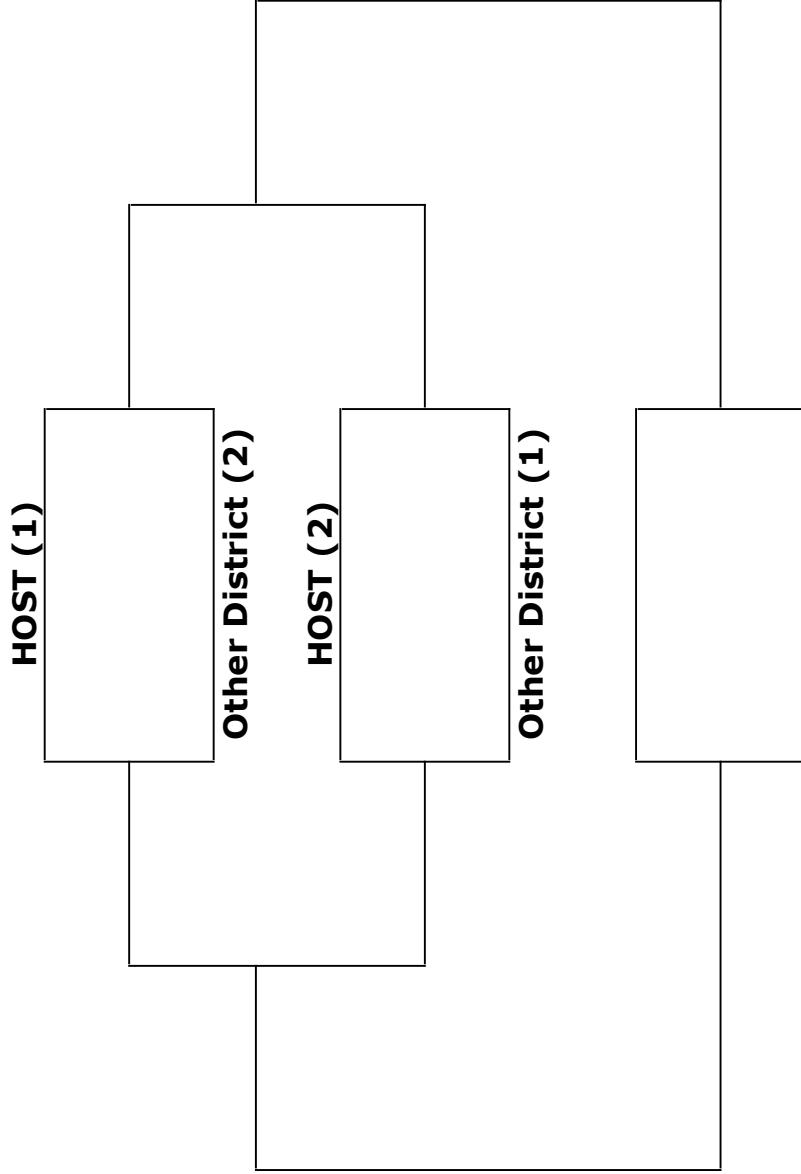
- Having coaches/leaders explain the policy to players/members and ask them to explain the policy to their parents and others who may come to their game/activity/performance.
- Including the policy in the NOSSA handbook and website so all new and returning participants, their parents/guardians, coaches/leaders and officials/managers know about the policy from the start.
- Making the policy visible throughout the year/season wherever possible, including logos on uniforms, banners at events and encouraging coaches and older players/members to promote active, healthy, tobacco-free lifestyles.

We will reinforce the tobacco-free policy at all our activities by:

- Encouraging all coaches/leaders, players/members, and parents to respectfully remind someone using tobacco about the tobacco-free policy – being able to point to a tobacco-free logo on a uniform or banner makes this easier.
- Consistently applying consequences with people who repeatedly break the policy – repeated violations by players/members or their parent/guardian may result in a verbal and written warning from the coach/leader, or the association executive in the case of a repeat coach/leader violation. Following a written warning the individual violating the policy again may be asked to leave the activity or game.

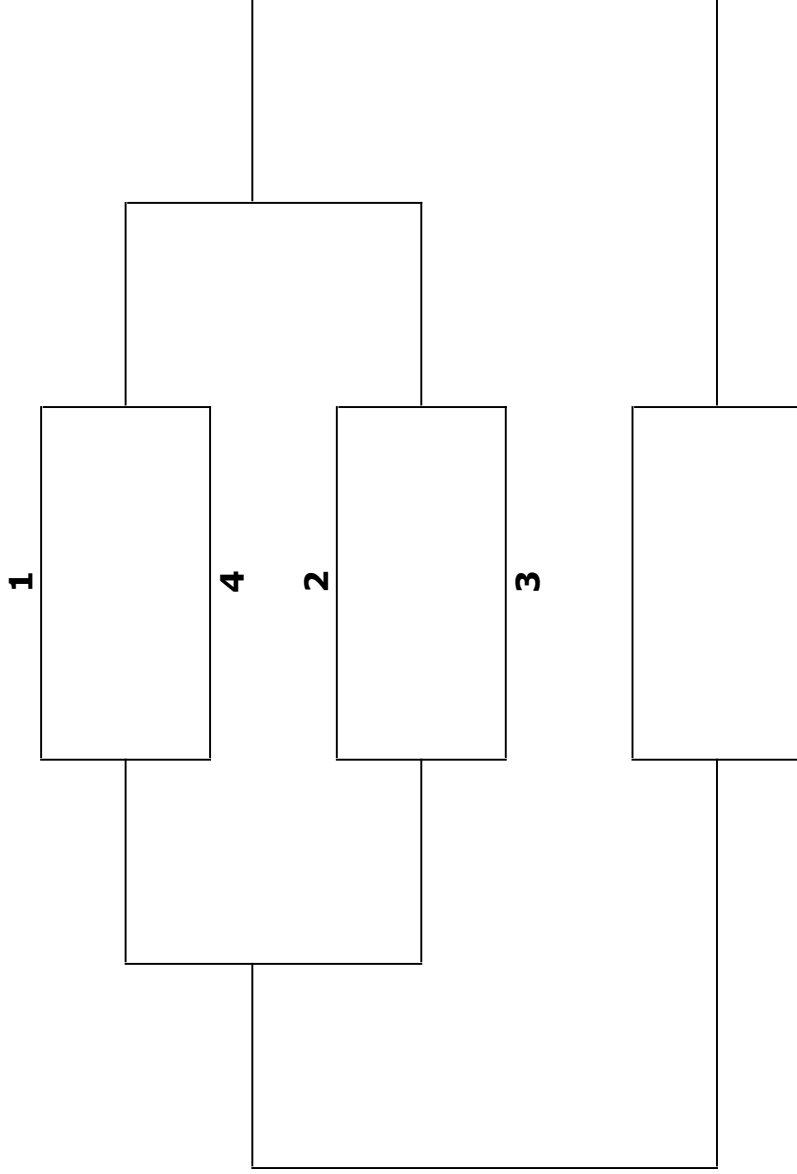
BOYS BASKETBALL PLAYING REGULATIONS - TOURNAMENT FORMAT

AAA



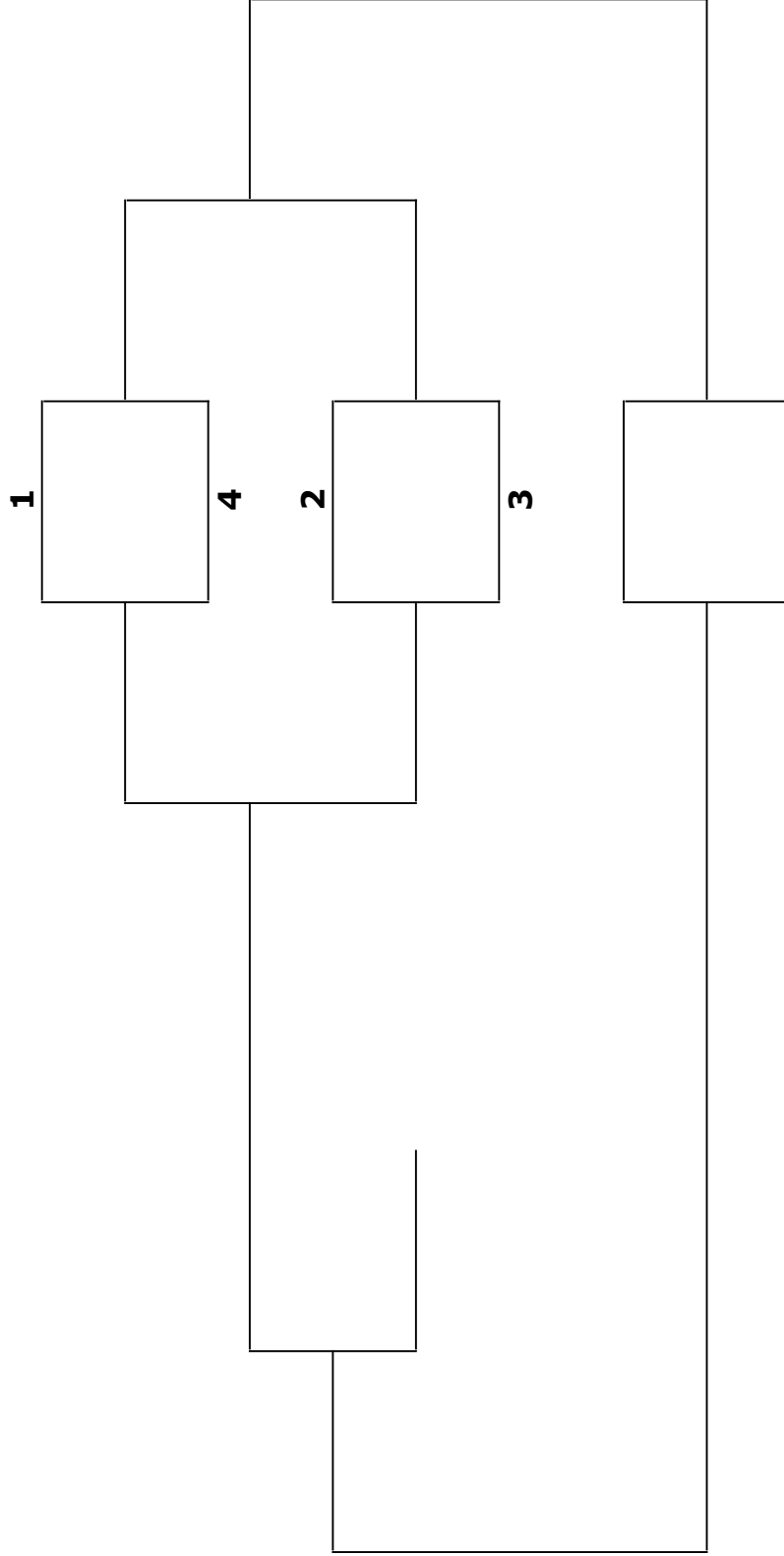
BOYS BASKETBALL PLAYING REGULATIONS - TOURNAMENT FORMAT (cont'd)

AA



BOYS BASKETBALL PLAYING REGULATIONS - TOURNAMENT FORMAT (cont'd)

A



BOYS BASKETBALL - TOURNAMENT FORMAT AND SEEDING

AAA

HOST (1)

Game 1

Winner

Other Distict (2)

Game 4
Championship Gold Winner

Host (2)

Game 2

Winner

Other District (1)

Loser of Game 1

Game 3 Bronze winner

Loser of Game 2

AA

1

Game 1

Winner

4

Game 4
Championship Gold Winner

2

Game 2

Winner

3

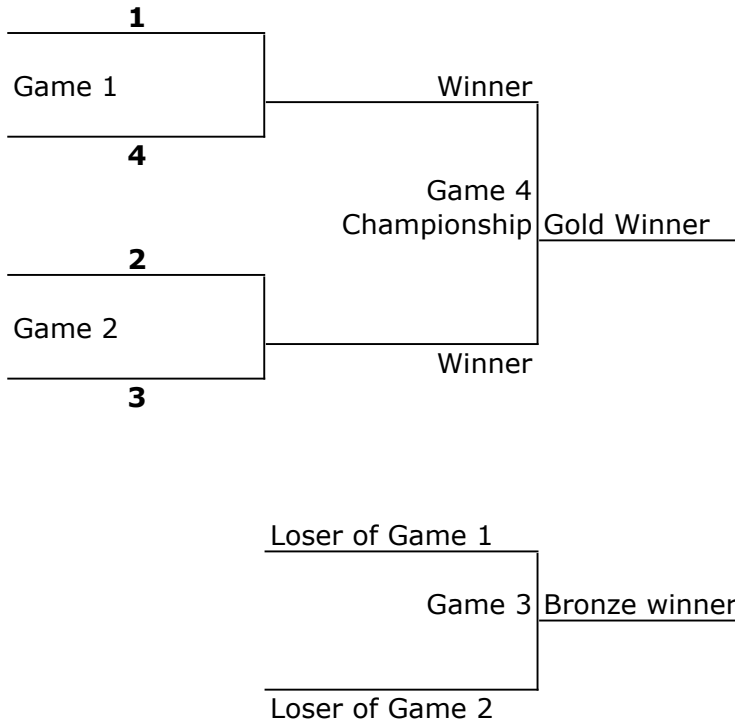
Loser of Game 1

Game 3 Bronze winner

Loser of Game 2

BOYS BASKETBALL - TOURNAMENT FORMAT AND SEEDING (cont'd)

A



Boys and Girls Volleyball Schedule

Schedule #1 for a 4 team round robin in both seniors and juniors, but at separate venues.
All matches are 2 out of 3.

Court #1 – Juniors @	TIME	Court #2 – Seniors @
A VS D	9:00 a.m.	A VS D
B VS C	10:15 a.m.	B VS C
A VS C	11:30 a.m.	A VS C
B VS D	12:45 a.m.	B VS D
A VS B	2 :00 p.m.	A VS B
C VS D	3:15 p.m.	C VS D
JR. FINAL	4:30 p.m.	SR. FINAL

*If there are just 3 teams in either junior and/or senior the schedule will start at 10:00 am. (A vs C, B vs C, and A vs B)

Schedule #1 for a 5 team round robin in both seniors and juniors, but at separate venues.
All matches are 2 out of 3.

Court #1 – Juniors @	TIME	Court #2 – Seniors @
A VS D	Friday 4:00 p.m.	A VS D
B VS C	5:00 p.m.	B VS C
D VS E	6:00 p.m.	D VS E
A VS C	7:00 p.m.	A VS C
B VS E	8:00 p.m.	B VS E
C VS D	Saturday 10:00 a.m.	C VS D
A VS B	11:00 a.m.	A VS B
C VS E	12:00 a.m.	C VS E
B VS D	1:00 p.m.	B VS D
A VS E	2:00 p.m.	A VS E
JUNIOR FINAL	3:30 p.m.	SENIOR FINAL